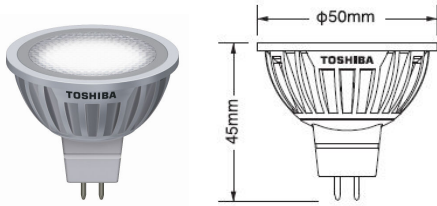


Specification sheet



Product description
Model name
Product Code
EAN code
ITF code

Toshiba LED LAMP E-CORE™
LDRA0730MU5EUD
218-50363
4974550426350
24974550426354

■ The strong point of TOSHIBA E-CORE LED Lamp

- Low energy and high efficacy.
- Mercury Free
- Instant full light
- Low Heat Radiation
- Low UV radiation

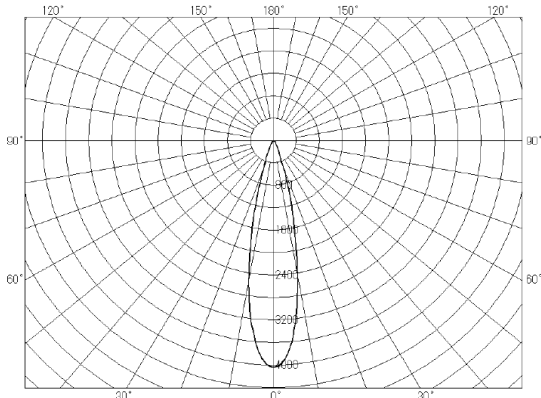
■ Technical DATA

Rated Voltage (V)	12
Rated Wattage (W)	6.7
Frequency (Hz)	50 / 60
Rated Input Current (mA)	750
Power Factor	0.74
Luminous Flux(lm)	(310)
Colour Description	Warm White
Colour Temperature (K)	3000
Colour Rendering Index (Ra)	80
Beam Angle (°)	25
CBCP (cd)	1250
Lamp Efficacy (lm / W)	(46.3)
Rated Lamp Lifetime (h)	25,000
Dimming	Not dimmable
Overall Length (mm)	45
Diameter (mm)	50
Net Weight (g)	50
Cap	GU5.3
LED Min Lumens to claim wattage equivalence (W)	-

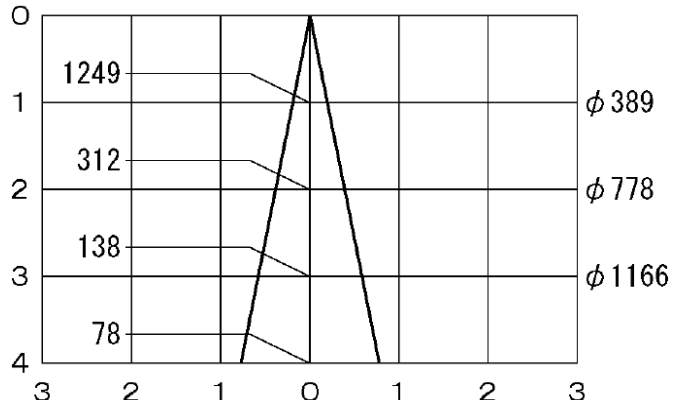
■ Packaging Details

Packaging Type(Std.Pkg.Q'ty)	Dimensions (L×W×H)	Gross Weight (g)	EAN / ITF CODE
Gift Box (1pce)	63mm×55mm×86mm	80g	4974550426350
Outer carton (10pcs)	282mm×132mm×96mm	1000g	24974550426354

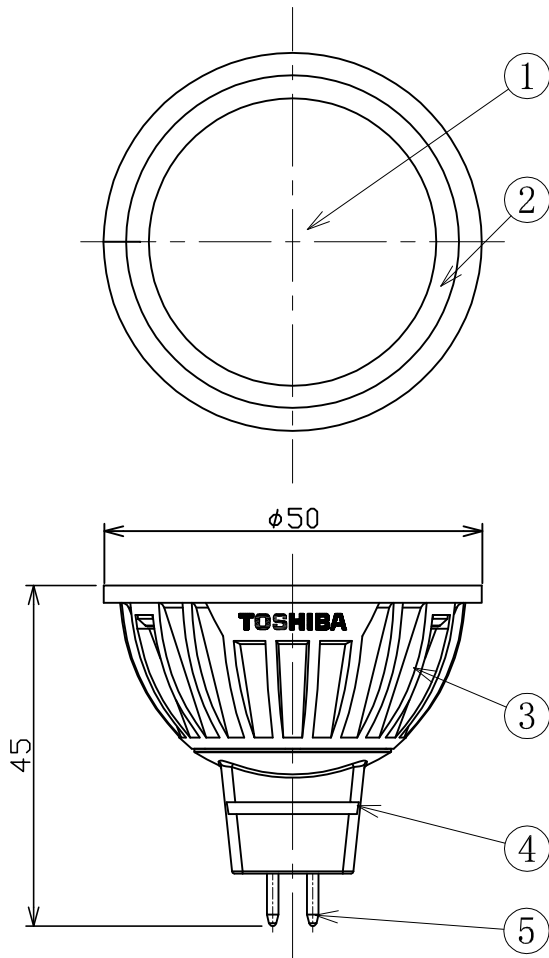
LUMINOUS INTENSITY DISTRIBUTION CURVE (cd / 1000lm)



[Height (m)] [Unit (lx)] [Initial Value]



(2011.04.) 2011.05.



General Characteristics		
1	Rated Voltage (V)	12
2	Rated Wattage (W)	6.7
3	Frequency (Hz)	50 / 60
4	Rated Input Current (mA)	750
5	Power Factor	0.74 (Based on AC)
6	Luminous Flux (lm)	(310)
7	Colour Description	Warm White
8	Colour Temperature (K)	3000
9	Colour Rendering Index (Ra)	80
10	Beam Angle (°)	25
11	CBCP (cd)	1,250
12	Lamp Efficacy (lm/W)	(46.3)
13	Rated Lamp Lifetime(h)	25,000
14	Lumen Maintenance	70% at the rated lamp lifetime
15	Number of Switching Cycle	over 20,000 times
16	Dimming	Not dimmable
17	Overall Length (mm)	45
18	Diameter (mm)	50
19	Net Weight (g)	50
20	Cap	GU5.3
21	Starting time (s)	<0.5
22	LED Min Lumen to claim wattage equivalence (W)	-

No.	Part	Material
①	Lens	PC
②	Cover Plate	PC
③	Body	ADC12
④	Copper	PBT
⑤	Base (pin)	Brass

Safety Information

▲ WARNING

- Do not cover this product with paper or cloth, or put it close to anything easy to burn, otherwise, fire may occur.
- Do not use with dimmers, timers or other control devices.
- Turn off the power before attaching a lamp to a lighting device, before detaching a lamp from a lighting device, or before cleaning a lighting device, otherwise, you may have an electric shock.

▲ CAUTION

- Do not use this product in a way of being exposed to rain or raindrops, nor at a high level of humidity, otherwise, it may be damaged.
- Do not drop a lamp, nor have it hit some object, nor put a heavy load on it, nor apply any excessive pressure.
- Do not touch a lamp with your hand or skin when it is on or soon after it is turned off because it is hot, otherwise, you may have a burn.
- Attach this product to a socket firmly, otherwise, it may drop off, or may overheat or emit smoke because of bad contact.
- Use this product in the range of 5°C-40°C (41°F-104°F).
- If a lamp does not normally light, e.g., if it flashes sporadically, turn off the power and replace the lamp.
- Do not look at LED device directly.
- Do not spray a pesticide over this lamp.

MODEL NO.

LDRA0730MU5EUD

DESCRIPTION

**TOSHIBA LED LAMP
E-CORE™**

APPROVED BY

M. Kamata

CHARGED BY

T. Tanaka

DRAWING NO.

BA2011-00050-02

3rd ANGLE

SCALE: —

UNIT: mm

TOSHIBA

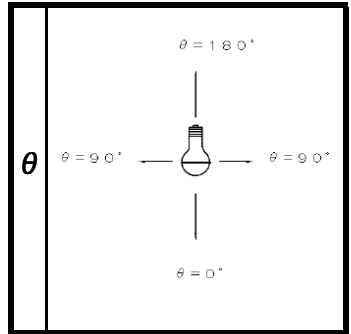
TOSHIBA LIGHTING & TECHNOLOGY CORPORATION

TOSHIBA LIGHTING EQUIPMENT ENGINEERING DATA SHEET

NAME	LED Lamp E-CORE™
MODEL NO.	LDRA0730MU5EUD
COVER	
OPTION NO.	
OPTION SPEC	

LAMP	
TYPE	LED
LUMEN OUTPUT	310 lm

BEAM ANGLE	
25°	
WATTAGE	
6.7	W



REMARKS

THE DATA IS EARLY TYPICAL VALUE.

LUMINOUS INTENSITY (cd/1000lm)			
0°	4032	25°	216
1°	4016	30°	123
2°	3977	35°	81
3°	3894	40°	58
4°	3768	45°	48
5°	3623	50°	39
6°	3436	55°	39
7°	3223	60°	39
8°	2977	65°	36
9°	2703	70°	26
10°	2429	75°	16
11°	2158	80°	10
12°	1907	85°	3
13°	1671	90°	0
14°	1455		
15°	1252		
16°	1061		
17°	890		
18°	739		
19°	616		
20°	513		

