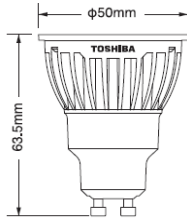


Specification sheet



Product description
Model name
Product Code
EAN code
ITF code

Toshiba LED LAMP E-CORE™
LDRC0630MU1EUD
218-50370
4974550426411
24974550426415

■ The strong point of TOSHIBA E-CORE LED Lamp

- Low energy and high efficacy.
- Mercury Free
- Instant full light
- Low Heat Radiation
- Low UV radiation

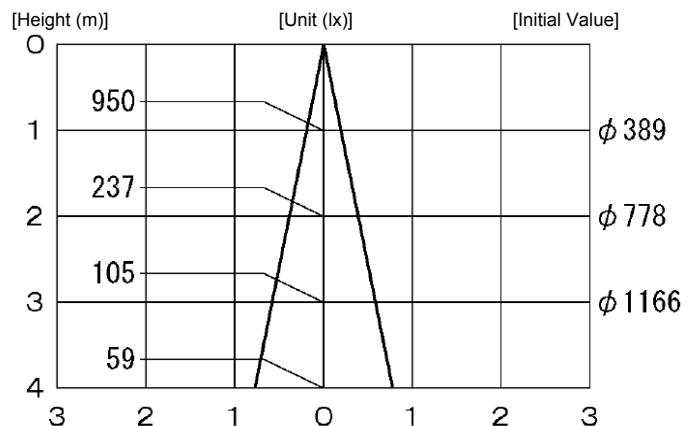
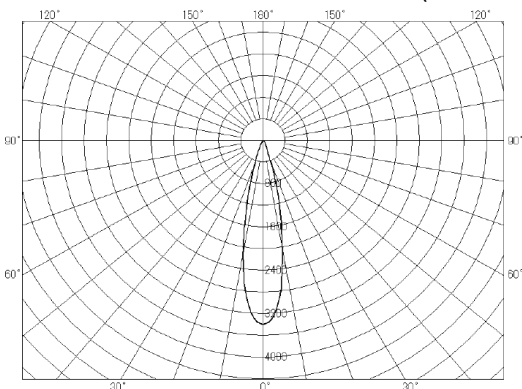
■ Technical DATA

Rated Voltage (V)	220-240
Rated Wattage (W)	6.5
Frequency (Hz)	50 / 60
Rated Input Current (mA)	35
Power Factor	0.81
Luminous Flux(lm)	(280)
Colour Description	Warm White
Colour Temperature (K)	3000
Colour Rendering Index (Ra)	80
Beam Angle (°)	25
CBCP (cd)	950
Lamp Efficacy (lm / W)	(43.1)
Rated Lamp Lifetime (h)	25,000
Dimming	Dimmable*
Overall Length (mm)	63.5
Diameter (mm)	50
Net Weight (g)	90
Cap	GU10
LED Min Lumens to claim wattage equivalence (W)	-

■ Packaging Details

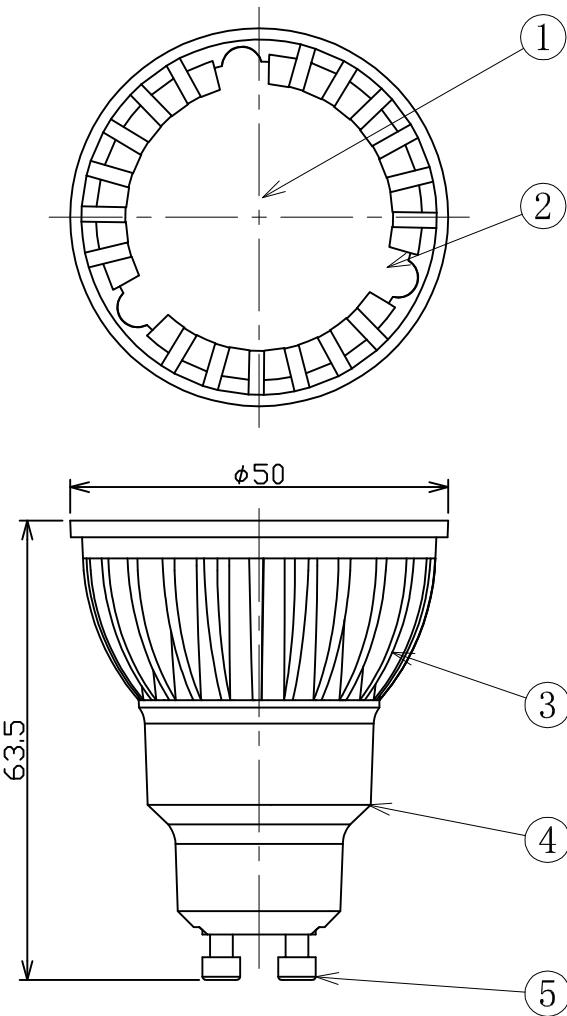
Packaging Type(Std.Pkg.Q'ty)	Dimensions (L×W×H)	Gross Weight (g)	EAN / ITF CODE
Gift Box (1pce)	63mm×55mm×103mm	130g	4974550426411
Outer carton (10pcs)	282mm×132mm×113mm	1450g	24974550426415

LUMINOUS INTENSITY DISTRIBUTION CURVE (cd / 1000lm)



* •Some dimmers may cause flickering and no dimming at lower control level.
•When the dimmer is connected to numerous lamp, it may not be possible to dim the light to the lowest possible level.
•When dimming numerous lamps, respective colour or the timing of light out may differ.
•When turning on the light from 100% dimming, it may not turn on.

(2011.03.) 2011.05.



General Characteristics		
1	Rated Voltage (V)	220-240
2	Rated Wattage (W)	6.5
3	Frequency (Hz)	50 / 60
4	Rated Input Current (mA)	35
5	Power Factor	0.81
6	Luminous Flux (lm)	(280)
7	Colour Description	Warm White
8	Colour Temperature (K)	3000
9	Colour Rendering Index (Ra)	80
10	Beam Angle (°)	25
11	CBCP (cd)	950
12	Lamp Efficacy (lm/W)	(43.1)
13	Rated Lamp Lifetime(h)	25,000
14	Lumen Maintenance	70% at the rated lamp lifetime
15	Number of Switching Cycle	over 20,000 times
16	Dimming	Dimmable
17	Overall Length (mm)	63.5
18	Diameter (mm)	50
19	Net Weight (g)	90
20	Cap	GU10
21	Starting time (s)	<0.5
22	LED Min Lumen to claim wattage equivalence (W)	-

No.	Part	Material
①	Lens	PC
②	Cover Plate	PC
③	Body	ADC12
④	Copper	PBT
⑤	Base (pin)	Brass

Safety Information

▲ WARNING

- Do not cover this product with paper or cloth, or put it close to anything easy to burn, otherwise, fire may occur.
- Some dimmers may cause flickering and no dimming at lower control level.
- When the dimmer is connected to numerous lamp, it may not be possible to dim the light to the lowest possible level.
- When dimming numerous lamps, respective colour or the timing of light out may differ.
- When turning on the light from 100% dimming, it may not turn on.
- When the voltage at the power supply is distorted, flickering may occur.
- When the AC voltage fluctuates at power supply, it may result in no dimming at lower control level or no light.
- Turn off the power before attaching a lamp to a lighting device, before detaching a lamp from a lighting device, or before cleaning a lighting device, otherwise, you may have an electric shock.

▲ CAUTION

- Do not use this product in a way of being exposed to rain or raindrops, nor at a high level of humidity, otherwise, it may be damaged.
- Do not drop a lamp, nor have it hit some object, nor put a heavy load on it, nor apply any excessive pressure.
- Do not touch a lamp with your hand or skin when it is on or soon after it is turned off because it is hot, otherwise, you may have a burn.
- Attach this product to a socket firmly, otherwise, it may drop off, or may overheat or emit smoke because of bad contact.
- Use this product in the range of 5°C-40°C (41°F-104°F).
- If a lamp does not normally light, e.g., if it flashes sporadically, turn off the power and replace the lamp.
- Do not look at LED device directly.
- Do not spray a pesticide over this lamp.

MODEL NO.

LDRC0630MU1EUD

DESCRIPTION

**TOSHIBA LED LAMP
E-CORE™**

APPROVED BY

M. Kamata

CHARGED BY

T. Tanaka

DRAWING NO.

BA2011-00056-02

~~3rd~~ ANGLE

SCALE: —

UNIT: mm

TOSHIBA

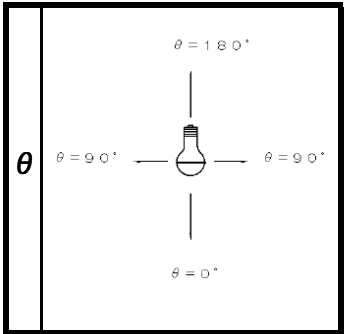
TOSHIBA LIGHTING & TECHNOLOGY CORPORATION

TOSHIBA LIGHTING EQUIPMENT ENGINEERING DATA SHEET

NAME	LED Lamp E-CORE™
MODEL NO.	LDR0630MU1EUD
COVER	
OPTION NO.	
OPTION SPEC	

LAMP	
TYPE	LED
LUMEN OUTPUT	280 lm

BEAM ANGLE	
25°	
WATTAGE	
6.5	W



REMARKS

THE DATA IS EARLY TYPICAL VALUE.

LUMINOUS INTENSITY (cd/1000lm)			
0°	3393	25°	182
1°	3379	30°	104
2°	3346	35°	68
3°	3275	40°	50
4°	3171	45°	39
5°	3050	50°	32
6°	2889	55°	32
7°	2711	60°	32
8°	2504	65°	29
9°	2275	70°	21
10°	2043	75°	14
11°	1818	80°	7
12°	1604	85°	0
13°	1407	90°	0
14°	1225		
15°	1054		
16°	893		
17°	746		
18°	621		
19°	518		
20°	432		

